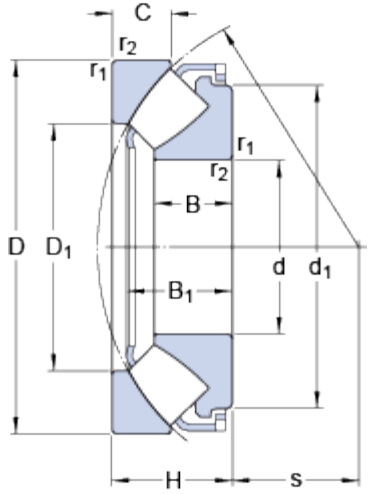




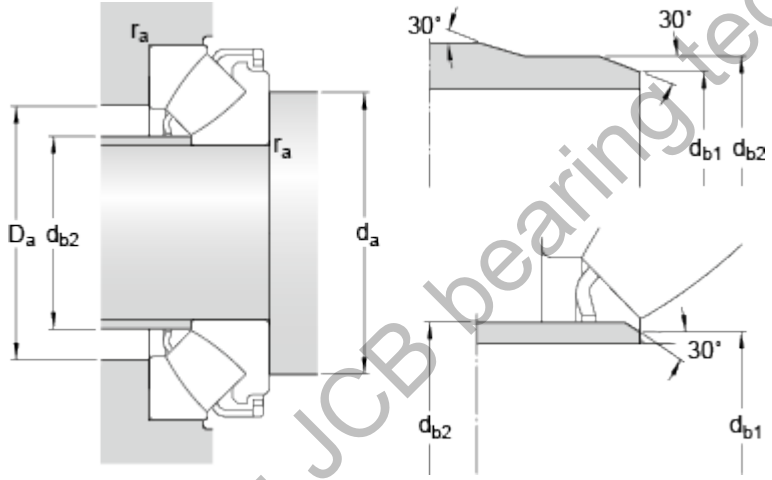
# 29416

## Dimensions



d	80	mm
D	170	mm
H	54	mm
d <sub>1</sub>	≈ 147	mm
D <sub>1</sub>	≈ 113	mm
B	35	mm
B <sub>1</sub>	48.1	mm
C	26.5	mm
s	50	mm
r <sub>1,2</sub>	min. 2.1	mm

## Abutment dimensions



d <sub>a</sub>	min. 120	mm
d <sub>b1</sub>	max. 88	mm
d <sub>b2</sub>	max. 88	mm
D <sub>a</sub>	max. 141	mm
r <sub>a</sub>	max. 2	mm

## Calculation data

Basic dynamic load rating	C	670	kN
Basic static load rating	C <sub>0</sub>	1630	kN
Fatigue load limit	P <sub>u</sub>	193	kN
Reference speed		2200	r/min
Limiting speed		3800	r/min
Minimum axial load factor	A	0.25	

## Mass

Mass bearing		5.6	kg
--------------	--	-----	----